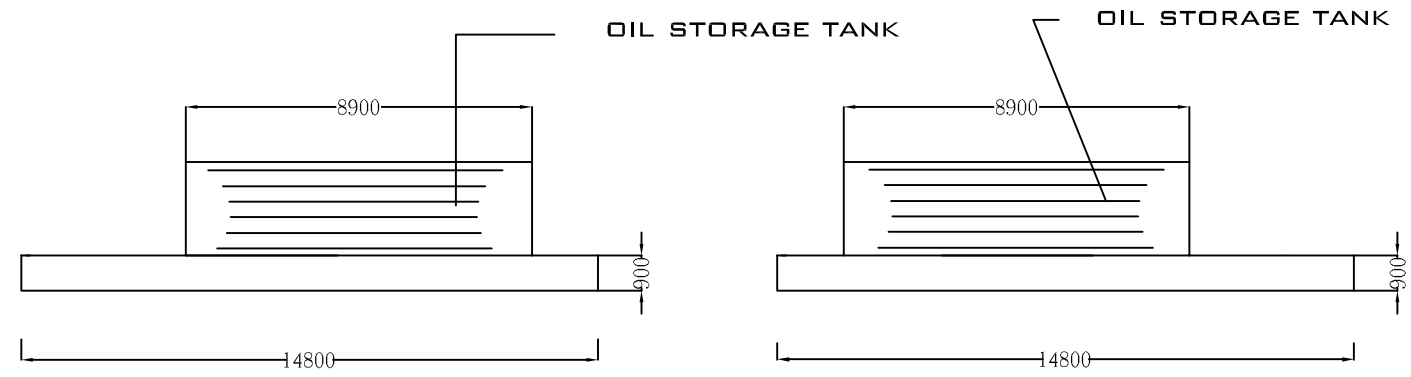
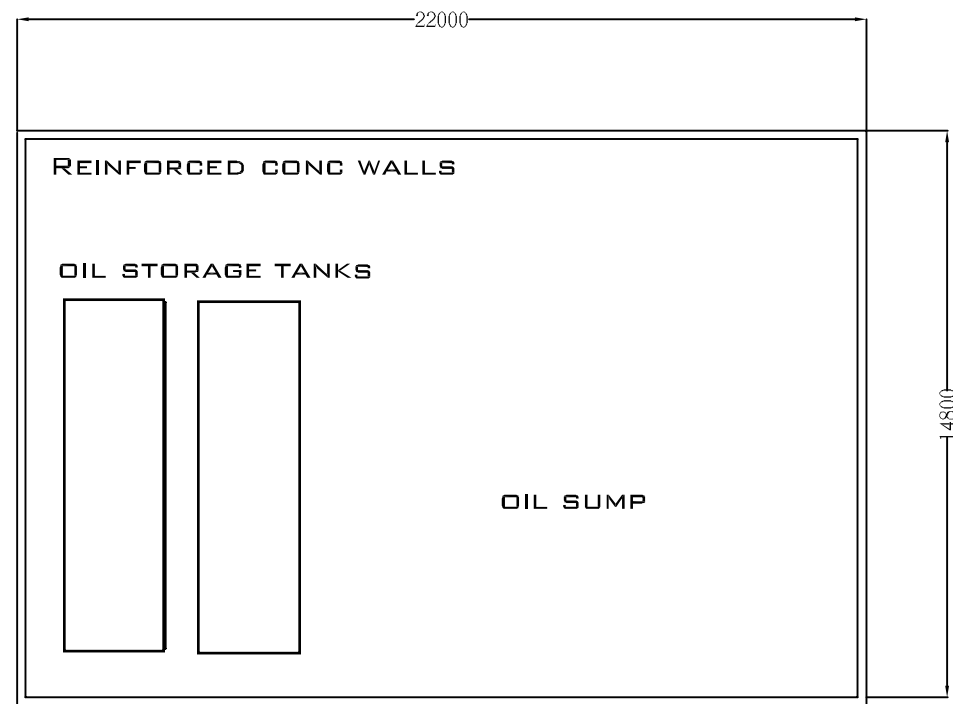


SOUTH FACING ELEVATION 1 : 200

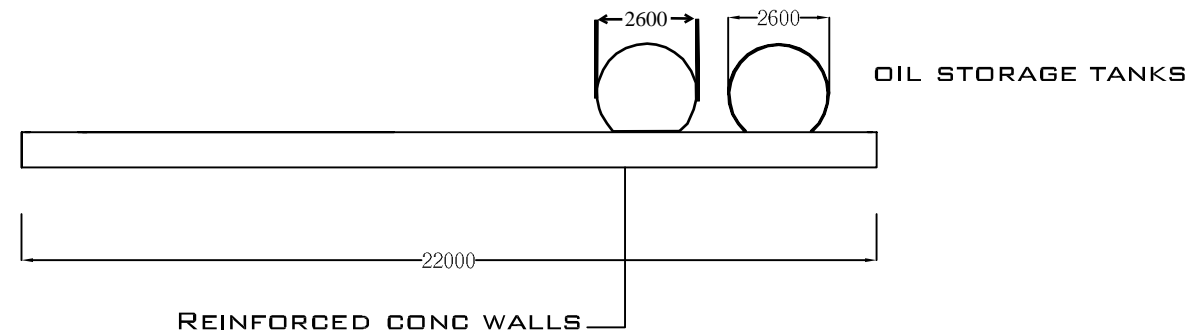


WEST FACING ELEVATION 1 : 200


EAST FACING ELEVATION 1 : 200



FRONT ELEVATION 1:200



NORTH FACING ELEVATION 1:200

Issue	Revision	Date
JOB		
McTigue Quarries Ltd		
Oil Storage Tanks- Layout and Elevations		
Substitute Consent Planning Application		
DRAWING ELEVATIONS AND PLANS		
 Quarryplan Ltd, 10 Saintfield Road Crossgar, Co Down BT30 9HY	DRAWN	Quarryplan Ltd
	SCALE	1:200 @ A3
	DATE	October 2020
	FILE No.	Dwg No. 008